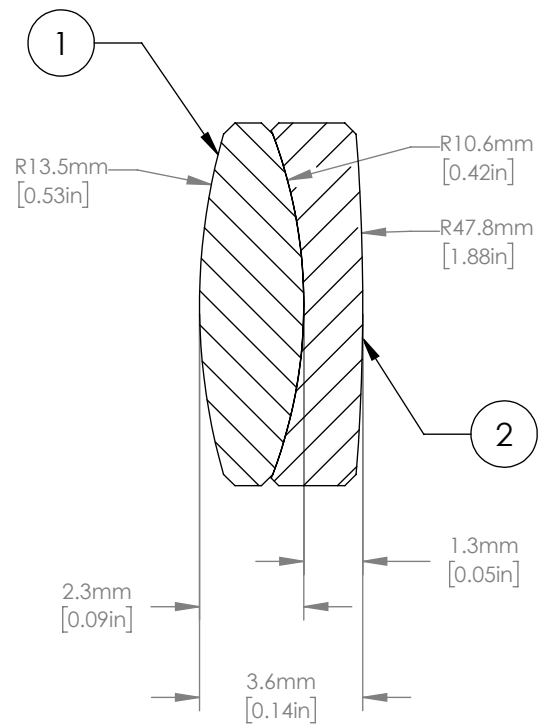
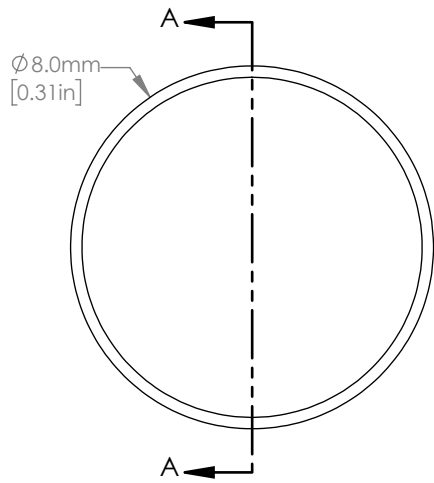


	MATERIAL
①	N-LAK22
②	N-SF6HT



NOTES/SPECIFICATIONS:

- DESIGN WAVELENGTH: 706.5nm, 855.0nm, & 1015.0nm
- FOCAL LENGTH: 20.0mm $\pm 1\%$ AT 855.0nm
- BACK FOCAL LENGTH (REF): 18.2mm
- CLEAR APERTURE: $> \varnothing 7.20\text{mm}$
- SURFACE QUALITY: 40-20 SCRATCH-DIG
- CENTRATION: $< 3\text{arcmin}$
- DIAMETER TOLERANCE: $+0.0/-0.1\text{mm}$
- THICKNESS TOLERANCE: $\pm 0.20\text{mm}$
- COATING: BBAR $R_{\text{avg}} < 0.5\%$ FROM 650-1050nm, 0° AOI, ON OUTER OPTICAL SURFACES

FOR INFORMATION ONLY
NOT FOR MANUFACTURING PURPOSES

DRAWING PROJECTION							
				D8mm, F=20mm, Near IR Achromat, B Coated			
DRAWN	CWD	DATE	2022/5/18	AD008-20-B			
APPROVAL	ZSE	DATE	2022/5/18	MATERIAL	WEIGHT	SCALE	REV
FOR INFORMATION ONLY NOT FOR MANUFACTURING PURPOSES				SEE TABLE	0.00057kg		A