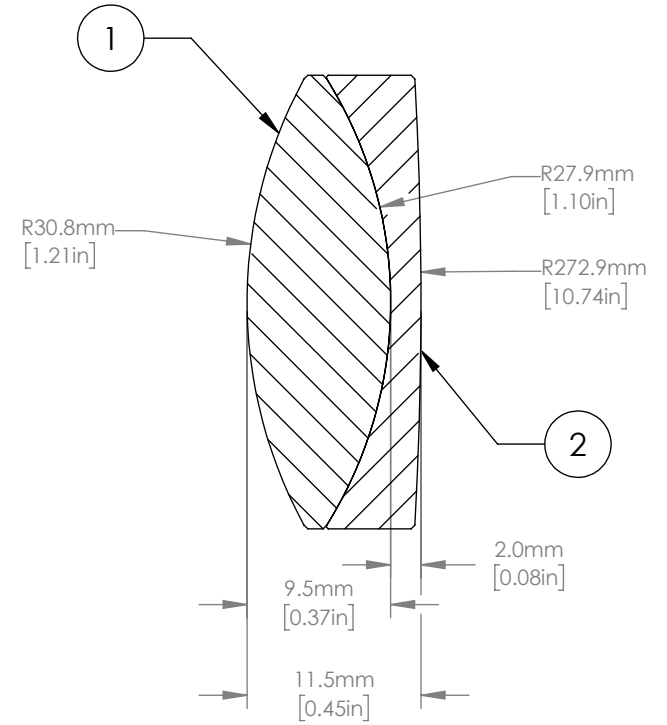
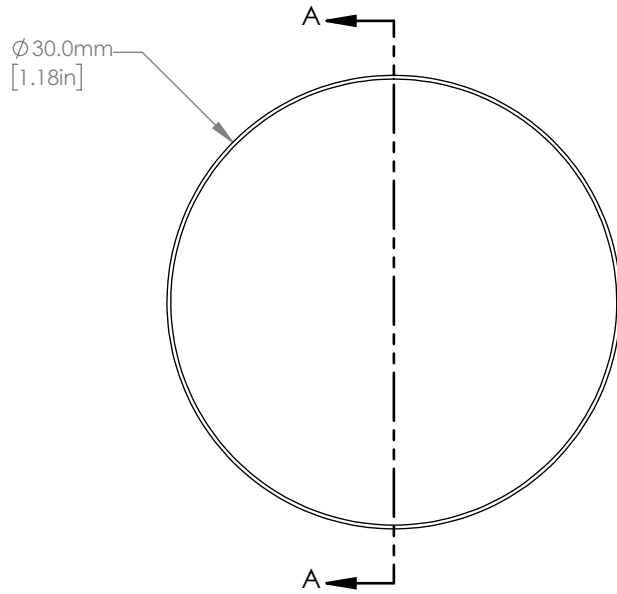




	MATERIAL
①	N-BAF10
②	N-SF6HT



NOTES/SPECIFICATIONS:

- DESIGN WAVELENGTH: 706.5nm, 855.0nm, & 1015.0nm
- FOCAL LENGTH: 50.0mm \pm 1% AT 855.0nm
- BACK FOCAL LENGTH (REF): 42.9mm
- CLEAR APERTURE: $> \phi 27.00$ mm
- SURFACE QUALITY: 40-20 SCRATCH-DIG
- CENTRATION: < 3 arcmin
- DIAMETER TOLERANCE: $+0.0/-0.1$ mm
- THICKNESS TOLERANCE: ± 0.20 mm
- COATING: BBAR $R_{avg} < 0.5\%$ FROM 650-1050nm, 0° AOI, ON OUTER OPTICAL SURFACES

FOR INFORMATION ONLY
NOT FOR MANUFACTURING PURPOSES

DRAWING PROJECTION							
	NAME	DATE	D30mm, F=50mm, Near IR Achromat, B Coated				
DRAWN	CWD	2022/5/18	AD030-50-B				
APPROVAL	ZSB	2022/5/18	MATERIAL	WEIGHT	SCALE	REV	
FOR INFORMATION ONLY NOT FOR MANUFACTURING PURPOSES			SEE TABLE	0.0238 kg		A	