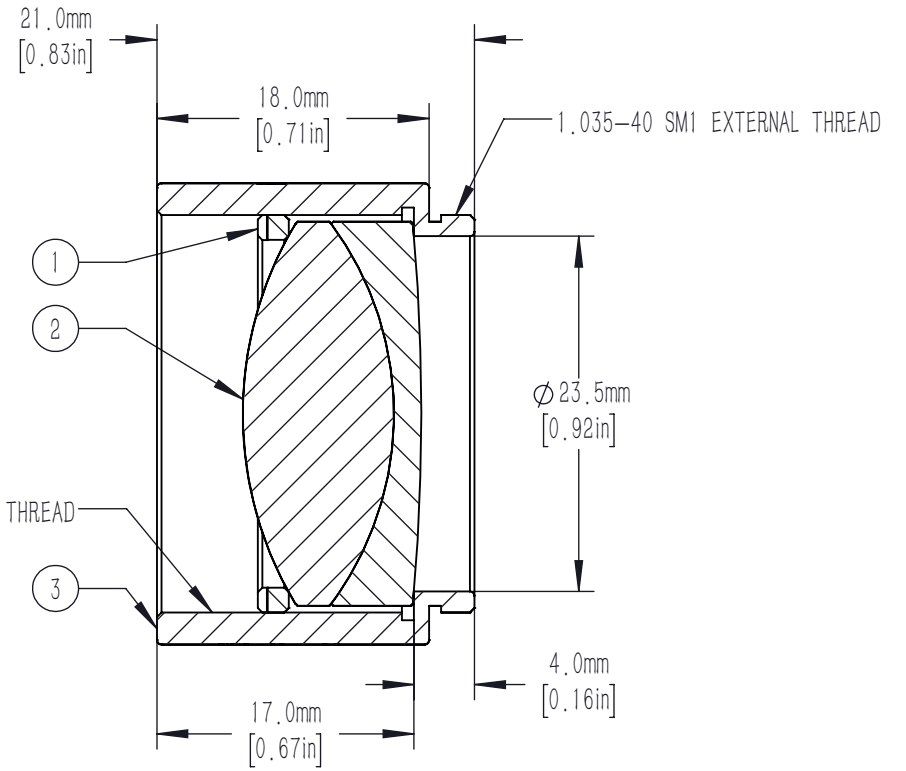
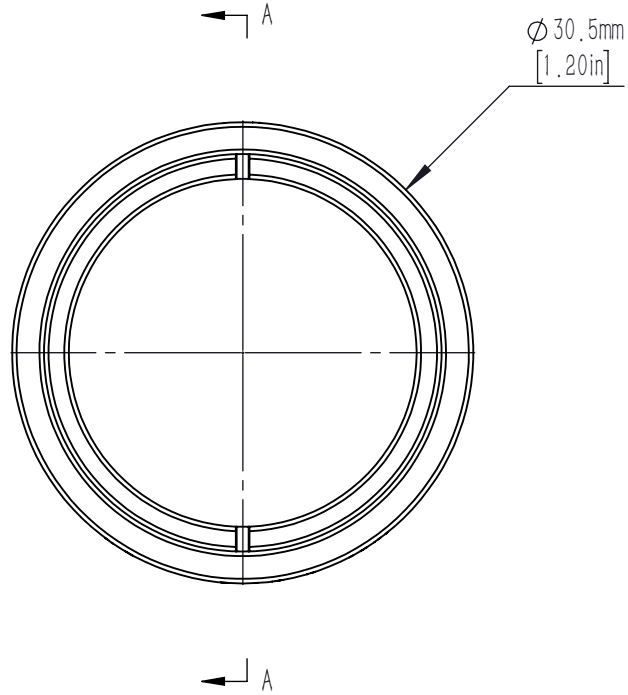




PART DESCRIPTION	MATERIAL
① SM1RR	ANODIZED ALUMINUM
② AD254-40-C	N-LAK22/N-SF6
③ SM1L17-A	ANODIZED ALUMINUM



NOTES/SPECIFICATIONS:

- DESIGN WAVELENGTHS: 1016nm, 1330nm, AND 1550nm
- FOCAL LENGTH: 40.0mm $\pm 1\%$
- BACK FOCAL LENGTH (REF): 32.8mm
- LENS DIAMETER: 25.4mm +0.00/-0.10mm
- LENS CENTER THICKNESS: 11.8mm
- CLEAR APERTURE: >90% OF LENS DIAMETER
- SURFACE QUALITY: 40-20 SCRATCH-DIG
- CENTRATION: <3 arcmin
- COATING: BBAR $R_{avg} < 0.5\%$ FROM 1050-1700nm
0° AOI, ON BOTH OPTICAL SURFACES

FOR INFORMATION ONLY NOT FOR
MANUFACTURING PURPOSES

DRAWING PROJECTION							
	NAME	DATE	Mounted D25.4mm, F=40mm, Telecom Achromat, C Coated				
DRAWN	CWD	2022/5/18	AD254-40-C-ML				
APPROVAL	ZSB	2022/5/18	MATERIAL	WEIGHT	SCALE	REV	
FOR INFORMATION ONLY NOT FOR MANUFACTURING PURPOSES			N/A		2:1	A	