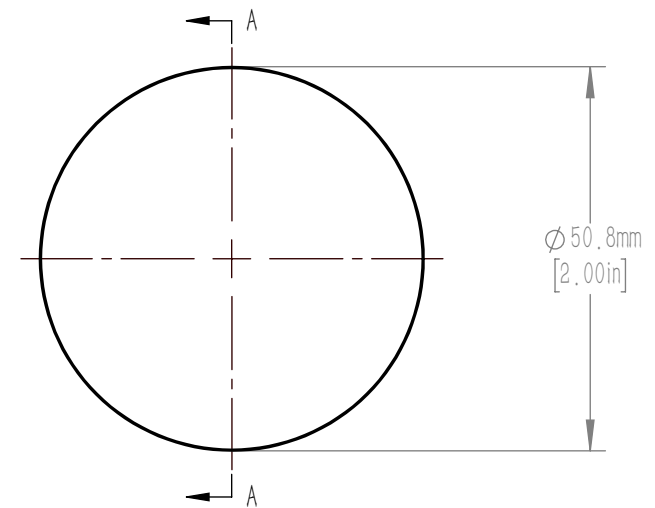
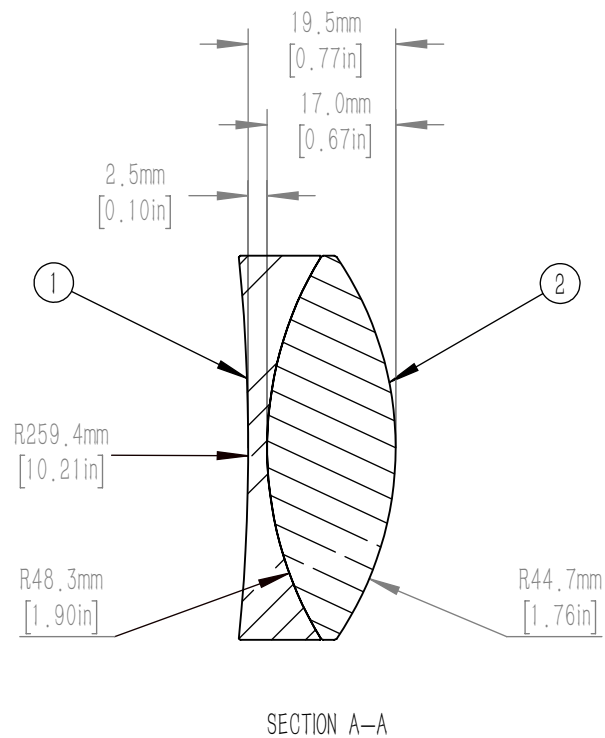


	MATERIAL
①	N-BAF10
②	N-SF6



NOTES/SPECIFICATIONS:

- DESIGN WAVELENGTHS: 1016.0nm, 1330.0nm, & 1550.0nm
- FOCAL LENGTH: $f=99.7\text{mm} \pm 1\%$ AT 1330.0nm
- BACK FOCAL LENGTH (REF): 83.0mm
- CLEAR APERTURE $> 45.72\text{mm}$
- SURFACE QUALITY: 40-20 SCRATCH-DIG
- CENTRATION: $< 3\text{arcmin}$
- DIAMETER TOLERANCE: $+0.0/-0.1\text{mm}$
- THICKNESS TOLERANCE: $\pm 0.20\text{mm}$
- COATING: BBAR $R_{\text{avg}} < 0.5\%$ FROM 1050-1700nm, 0° AOI, ON OUTER OPTICAL SURFACES

FOR INFORMATION ONLY
NOT FOR MANUFACTURING PURPOSES

DRAWING PROJECTION						
	NAME	DATE	D50.8mm, F=100mm, IR Achromat, C Coated			
DRAWN	CWD	2022/5/18	AD508-100-C			
APPROVAL	ZSE	2022/5/18	MATERIAL	WEIGHT	SCALE	REV
FOR INFORMATION ONLY NOT FOR MANUFACTURING PURPOSES			SEE TABLE	0.11865Kg	1:1	A