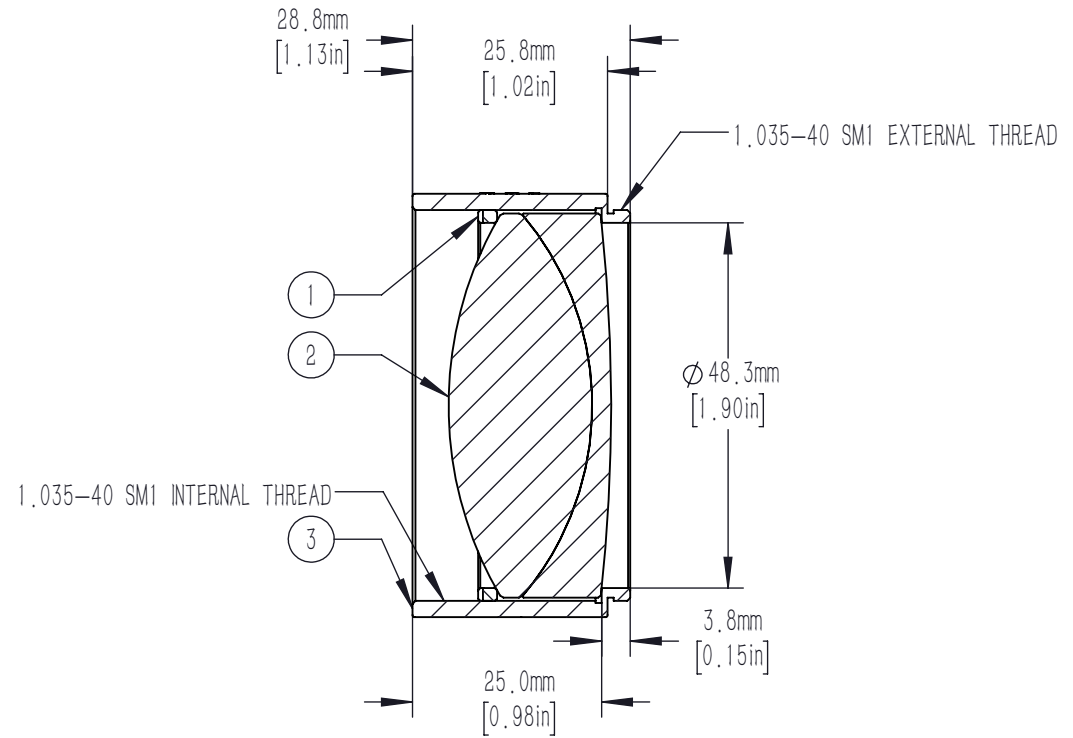
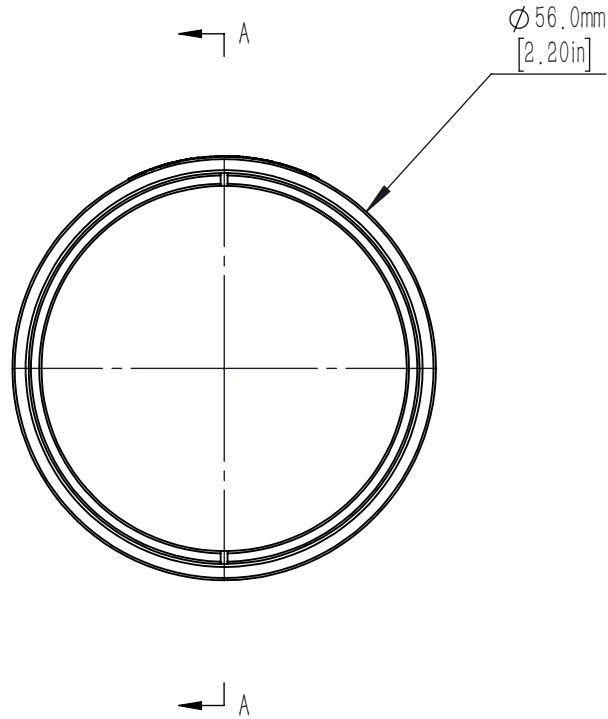


PART DESCRIPTION	MATERIAL
① SM2RR	ANODIZED ALUMINUM
② AD508-75-C	N-BAF10/N-SF6
③ SM2L25-A	ANODIZED ALUMINUM



NOTES/SPECIFICATIONS:

- DESIGN WAVELENGTHS: 1016 nm, 1330 nm, AND 1550 nm
- FOCAL LENGTH: 75.4mm $\pm 1\%$
- BACK FOCAL LENGTH (REF): 63.0mm
- LENS DIAMETER: 50.8mm $+0.00/-0.10$ mm
- LENS CENTER THICKNESS: 21.5mm
- CLEAR APERTURE: $>90\%$ OF LENS DIAMETER
- SURFACE QUALITY: 40-20 SCRATCH-DIG
- CENTRATION: <3 arcmin
- COATING: BBAR $R_{avg} < 0.5\%$ FROM 1050-1700nm
0° AOI, ON BOTH OPTICAL SURFACES

FOR INFORMATION ONLY NOT FOR
MANUFACTURING PURPOSES

DRAWING PROJECTION				睿创光科 RCOPTICS			
				Mounted D50.8mm, F=75mm, Telecom Achromat, C Coated			
DRAWN	CWD	2022/5/18	AD508-75-C-ML				
APPROVAL	ZSB	2022/5/18	MATERIAL	WEIGHT	SCALE	REV	
FOR INFORMATION ONLY NOT FOR MANUFACTURING PURPOSES			N/A		1:1	A	