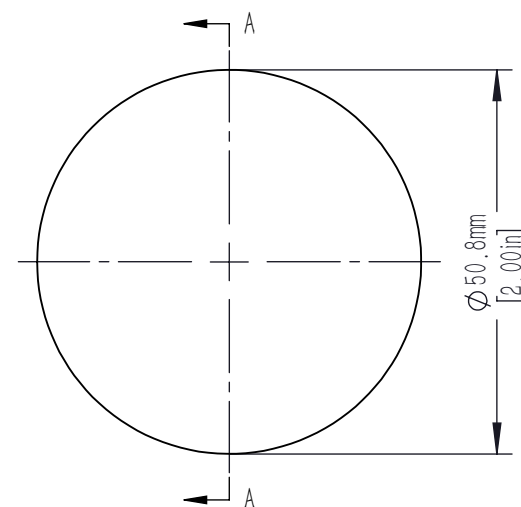
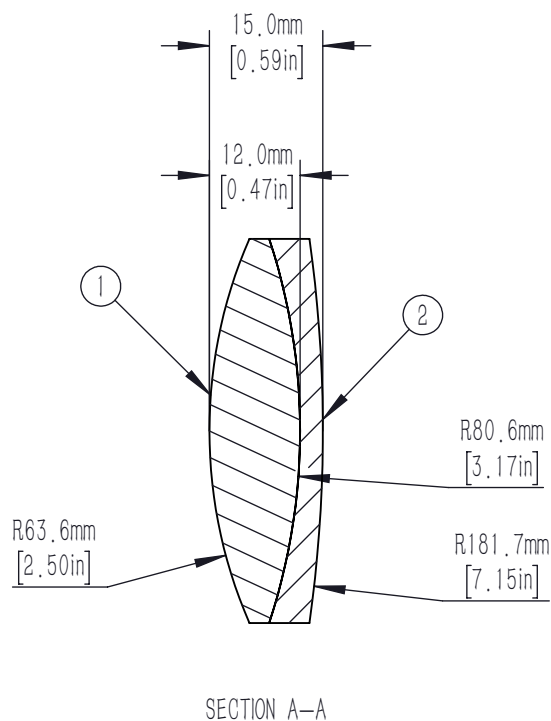


	MATERIAL
①	N-LAK22
②	N-SF6



NOTES/SPECIFICATIONS:

- DESIGN WAVELENGTHS: 488nm, 707nm, & 1064nm
- FOCAL LENGTH:  $f=80.0\text{mm} \pm 1\%$  AT 707.0nm
- BACK FOCAL LENGTH (REF): 72.73mm
- CLEAR APERTURE  $> \Phi 45.72\text{mm}$
- SURFACE QUALITY: 40-20 SCRATCH-DIG
- CENTRATION:  $< 3\text{arcmin}$
- DIAMETER TOLERANCE:  $+0.0/-0.1\text{mm}$
- THICKNESS TOLERANCE:  $\pm 0.20\text{mm}$
- COATING: BBAR  $R_{\text{avg}} < 1.0\%$  FROM 400-1100nm,  $0^\circ$  AOI, ON OUTER OPTICAL SURFACES

FOR INFORMATION ONLY  
NOT FOR MANUFACTURING PURPOSES

DRAWING PROJECTION							
	NAME	DATE	F=80mm, D50.8Achromatic Doublet, AB Coated				
DRAWN	CWD	2022/5/18	AD508-80-AB				
APPROVAL	ZSB	2022/5/18	MATERIAL	WEIGHT	SCALE	REV	
FOR INFORMATION ONLY NOT FOR MANUFACTURING PURPOSES			SEE TABLE	0.12162Kg	1:1	A	