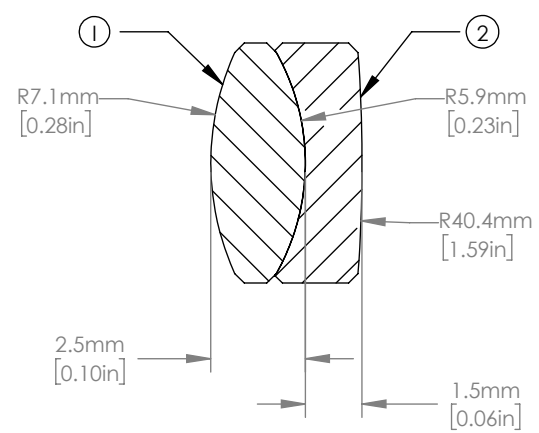
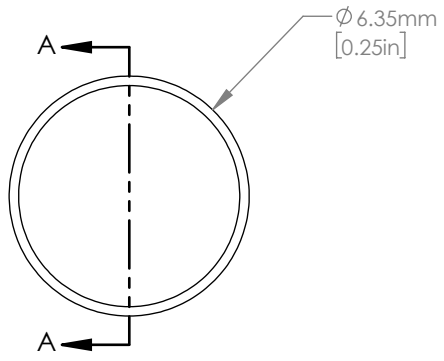


	MATERIAL
①	N-BAK4
②	N-SF5



SECTION A-A

NOTES/SPECIFICATIONS:

- DESIGN WAVELENGTH: 486.1 nm, 587.6 nm, & 656.3 nm
- FOCAL LENGTH: 12.7 mm $\pm 1\%$ @587.6 nm
- BACK FOCAL LENGTH (REF): 10.3 mm
- CLEAR APERTURE: $> \phi 5.72$ mm
- SURFACE QUALITY: 40-20 SCRATCH-DIG
- CENTRATION: < 3 arcmin
- DIAMETER TOLERANCE: $+0.0/-0.1$ mm
- THICKNESS TOLERANCE: ± 0.2 mm
- COATING: BBAR $R_{avg} < 0.5\%$ FROM 400-700 nm, 0° AOI, ON OUTER OPTICAL SURFACES

FOR INFORMATION ONLY
NOT FOR MANUFACTURING PURPOSES

DRAWING PROJECTION						
	NAME	DATE	D6.35mm, F=12.7mm, Visible Achromat			
DRAWN	CWD	2022/5/18	AD635-12.7-A			
APPROVAL	ZSE	2022/5/18	MATERIAL	WEIGHT	SCALE	REV
FOR INFORMATION ONLY NOT FOR MANUFACTURING PURPOSES			SEE TABLE	0.00036kg		A