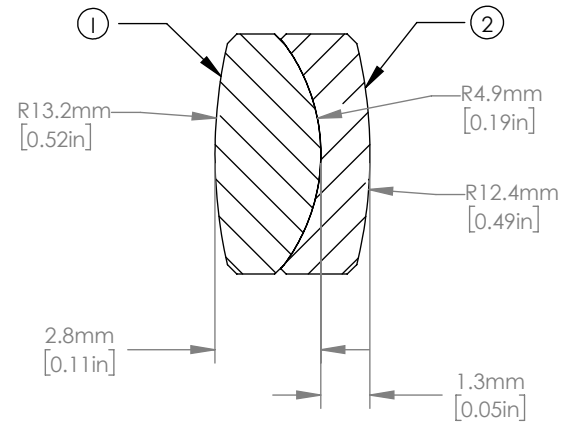
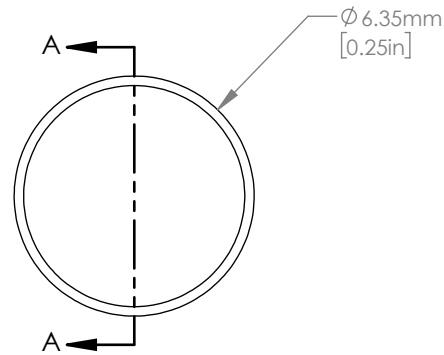


	MATERIAL
①	N-LAK22
②	N-SF6



SECTION A-A

NOTES/SPECIFICATIONS:

- DESIGN WAVELENGTH: 1016.0 nm, 1330.0 nm, & 1550.0 nm
- FOCAL LENGTH: 12.7 mm  $\pm 1\%$  @1330.0 nm
- BACK FOCAL LENGTH (REF): 11.4 mm
- CLEAR APERTURE:  $> \phi 5.72$  mm
- SURFACE QUALITY: 40-20 SCRATCH-DIG
- CENTRATION:  $< 3$  arcmin
- DIAMETER TOLERANCE:  $+0.0/-0.1$  mm
- THICKNESS TOLERANCE:  $\pm 0.2$  mm
- COATING: BBAR  $R_{\text{avg}} < 0.5\%$  FROM 1050-1700 nm,  $0^\circ$  AOI, ON OUTER OPTICAL SURFACES

FOR INFORMATION ONLY  
NOT FOR MANUFACTURING PURPOSES

DRAWING PROJECTION						
	NAME	DATE	D6.35mm, F=12mm, IR Achromat, C Coated			
DRAWN	CWD	2022/5/18	AD635-12.7-C			
APPROVAL	ZSB	2022/5/18	MATERIAL	WEIGHT	SCALE	REV
FOR INFORMATION ONLY NOT FOR MANUFACTURING PURPOSES			SEE TABLE	0.00042kg		A