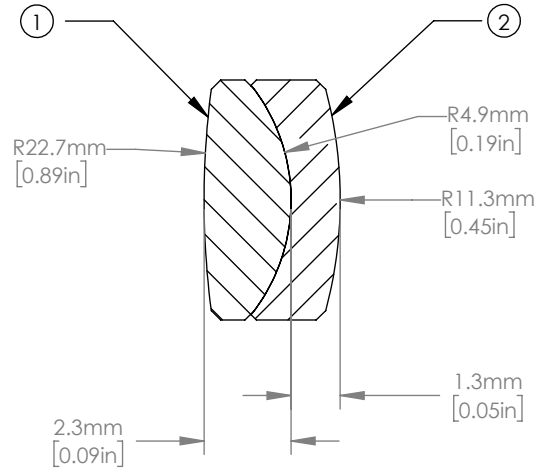
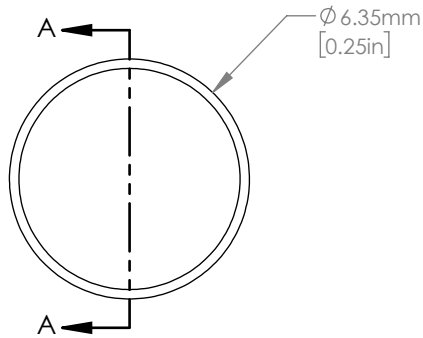


	MATERIAL
①	N-LAK22
②	N-SF6



SECTION A-A

NOTES/SPECIFICATIONS:

- DESIGN WAVELENGTH: 1016.0 nm, 1330.0 nm, 1550.0 nm
- FOCAL LENGTH: 15.0 mm $\pm 1\%$ @1330.0 nm
- BACK FOCAL LENGTH (REF): 14.4 mm
- CLEAR APERTURE: $> \phi 5.72$ mm
- SURFACE QUALITY: 40-20 SCRATCH-DIG
- CENTRATION: < 3 arcmin
- DIAMETER TOLERANCE: $+0.0/-0.1$ mm
- THICKNESS TOLERANCE: ± 0.2 mm
- COATING: BBAR $R_{avg} < 0.5\%$ FROM 1050-1700 nm, 0° AOI, ON OUTER OPTICAL SURFACES

FOR INFORMATION ONLY
NOT FOR MANUFACTURING PURPOSES

DRAWING PROJECTION							
	NAME	DATE	D6.35mm, F=15mm, IR Achromat, C Coated				
DRAWN	CWD	2022/5/18	AD635-15-C				
APPROVAL	ZSB	2022/5/18	MATERIAL	WEIGHT	SCALE	REV	
FOR INFORMATION ONLY NOT FOR MANUFACTURING PURPOSES			SEE TABLE	0.00036kg		A	