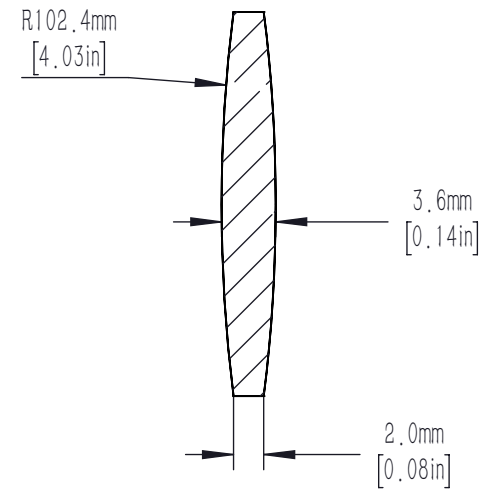
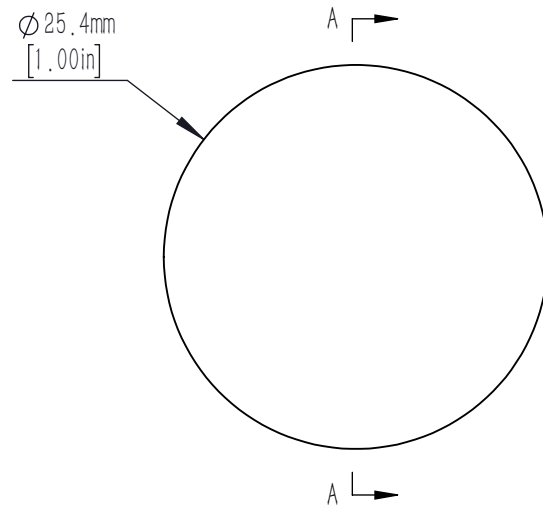


FOR INFORMATION ONLY NOT FOR  
MANUFACTURING PURPOSES



SECTION A-A

NOTES/SPECIFICATIONS:

1. DESIGN WAVELENGTH:  $587.6\text{nm}1$ .
2. FOCAL LENGTH:  $f=100.0\text{mm} \pm 1\%$
3. BACK FOCAL LENGTH(REF):  $bf=98.8\text{mm}$
4. CLEAR APERTURE:  $>90\%$
5. SURFACE QUALITY:  $40-20$  SCRATCH-DIG
6. CENTRATION:  $<3\text{arcmin}$
7. DIAMETER TOLERANCE:  $+0.0/-0.1\text{mm}$
8. THICKNESS TOLERANCE:  $\pm 0.1\text{mm}$

DRAWING PROJECTION				睿创光科 RCOPTICS					
		NAME		DATE		D25.4 F=100.0 N-BK7 Bi Convex Lens			
DRAWN		CWD		2022/5/18		EX1254-100-1			
APPROVAL		ZSB		2022/5/18		MATERIAL	WEIGHT	SCALE	REV
FOR INFORMATION ONLY NOT FOR MANUFACTURING PURPOSES				N-BK7		0.0035kg		2:1 A	