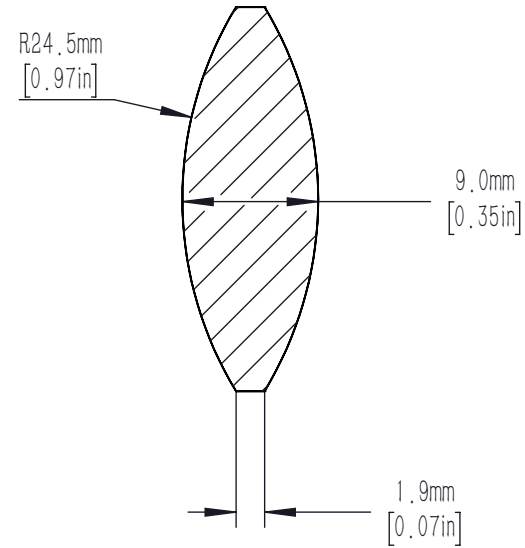
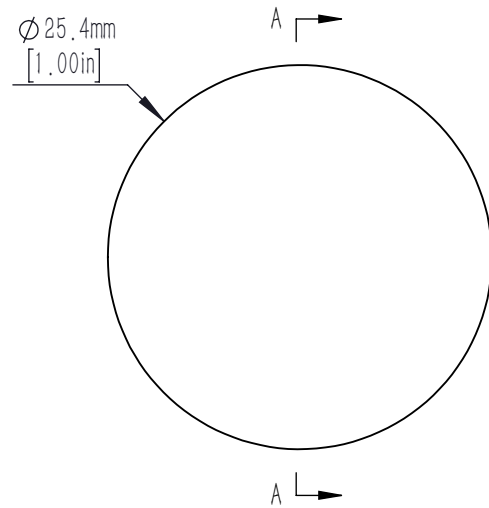




FOR INFORMATION ONLY NOT FOR  
MANUFACTURING PURPOSES



SECTION A-A

NOTES/SPECIFICATIONS:

1. DESIGN WAVELENGTH:  $587.6\text{nm} \pm 1\%$
2. FOCAL LENGTH:  $f=25.4\text{mm} \pm 1\%$
3. BACK FOCAL LENGTH(REF):  $bf=22.2\text{mm}$
4. CLEAR APERTURE:  $>90\%$
5. SURFACE QUALITY: 40-20 SCRATCH-DIG
6. CENTRATION:  $<3\text{arcmin}$
7. DIAMETER TOLERANCE:  $+0.0/-0.1\text{mm}$
8. THICKNESS TOLERANCE:  $\pm 0.1\text{mm}$
9. COATING: BBAR  $R_{\text{avg}} < 0.5\%$  FROM  $350-700\text{nm}$ , AOI:  $0^\circ$ , ON OUTER OPTICAL SURFACES

|   |     |   |               |   |       |     |  |
|---|-----|---|---------------|---|-------|-----|--|
| DRAWING PROJECTION                                  |     |  |               |  |       |     |  |
|   |     | NAME  | DATE          | D25.4 F=25.4 N-BK7 A Coated Bi Convex Lens  |       |     |  |
| DRAWN   | CWD | 2022/5/18   | EX1254-25.4-A |   |       |     |  |
| APPROVAL  | ZSE | 2022/5/18   | MATERIAL      | WEIGHT  | SCALE | REV |  |
| FOR INFORMATION ONLY NOT FOR MANUFACTURING PURPOSES |     |   | N-BK7         | 0.007kg   | 2:1   | A   |  |