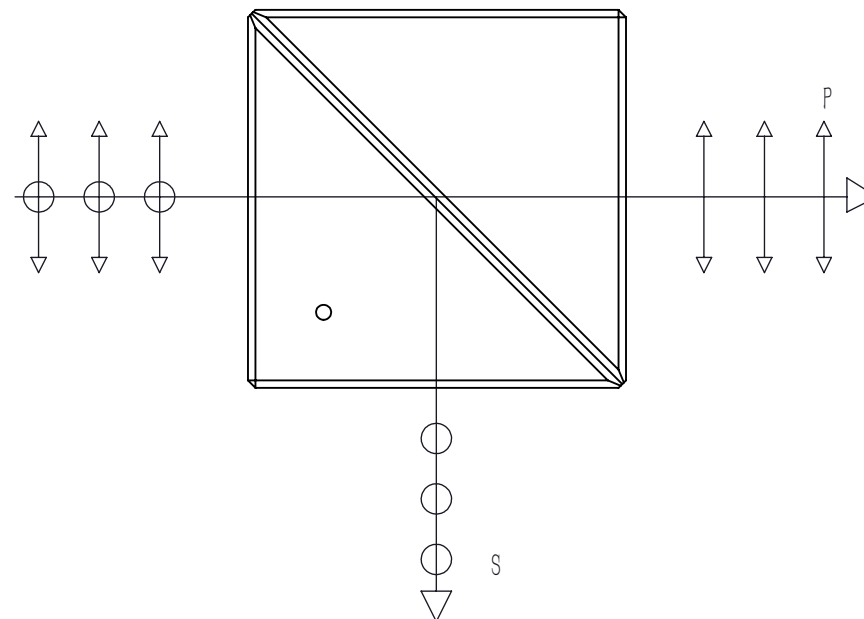
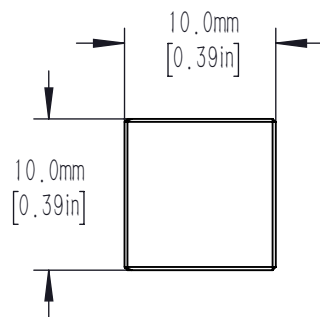


Make a pencil dot on prism with beamsplitter coating indicating recommended entrance faces



NOTES/SPECIFICATIONS

1. WAVELENGTH RANGE: 620–1000 nm
2. CLEAR APERTURE: >8.0 mm X 8.0 mm
3. TRANSMITTED WAVEFRONT ERROR: $<\lambda/4$ OVER $\varnothing 8.0$ mm AT 633 nm
4. DIMENSIONAL TOLERANCE: +0.0/-0.2 mm
5. SURFACE QUALITY: 40-20 SCRATCH-DIG
6. TRANSMITTED BEAM DEVIATION: $0^\circ \pm 5$ arcmin
7. REFLECTED BEAM DEVIATION: $90^\circ \pm 5$ arcmin
8. OVERALL PERFORMANCE:
 - EXTINCTION RATIO: >1000:1
 - TRANSMISSION EFFICIENCY: $T_p > 90\%$
 - REFLECTION EFFICIENCY: $R_s \text{ avg} > 99.5\%$ (WITNESS SAMPLE)
9. COATING (ALL OUTER OPTICAL SURFACES): BBAR 620–1000 nm, $R_{\text{avg}} < 0.5\%$

FOR INFORMATION ONLY
NOT FOR MANUFACTURING PURPOSES

DRAWING PROJECTION							
	NAME	DATE	10mm Polarizing Beamsplitter Cube 620-1000nm				
DRAWN	CWD	2022/5/18	PBS010-620-1000				
APPROVAL	ZSB	2022/5/18	MATERIAL	WEIGHT	SCALE	REV	
FOR INFORMATION ONLY NOT FOR MANUFACTURING PURPOSES			N-SF1	0.003kg	5:1	A	