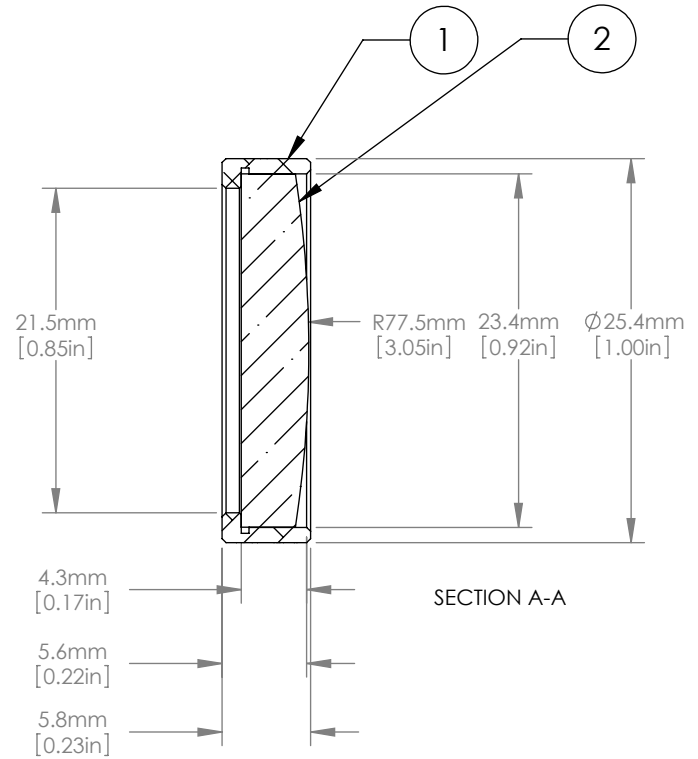
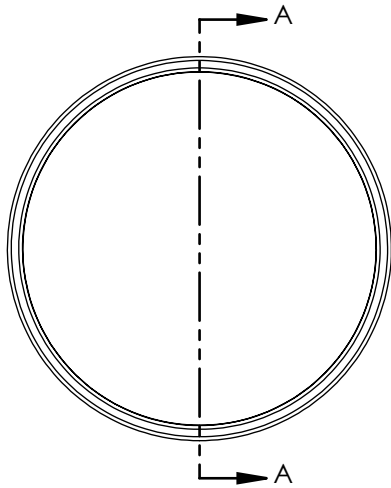


	ITEM	MATERIAL
①	BLACK ANODIZED MOUNTING RING	6061-T6 ALUMINUM
②	ROUND CYLINDRICAL LENS	N-BK7



NOTES/SPECIFICATIONS:

1. FOCAL LENGTH: 150.0mm \pm 1%
2. WORKING DISTANCE: 145.7mm
3. WAVELENGTH RANGE: 350nm-2.0 μ m
4. DESIGN WAVELENGTH: 587.6nm
5. CLEAR APERTURE: >21.0mm
6. SURFACE QUALITY: 60-40 SCRATCH-DIG
7. CENTRATION: \leq 3 arcmin

FOR INFORMATION ONLY
NOT FOR MANUFACTURING PURPOSES

DRAWING PROJECTION						
	NAME	DATE	D25.4 F=150.0 Mounted Rd N-BK7 Plano Convex Cyl Lens			
DRAWN	CWD	2022/5/18	PXY1254RM-150-1			
APPROVAL	ZSB	2022/5/18	MATERIAL	WEIGHT	SCALE	REV
FOR INFORMATION ONLY NOT FOR MANUFACTURING PURPOSES			SEE TABLE	0.03kg		B