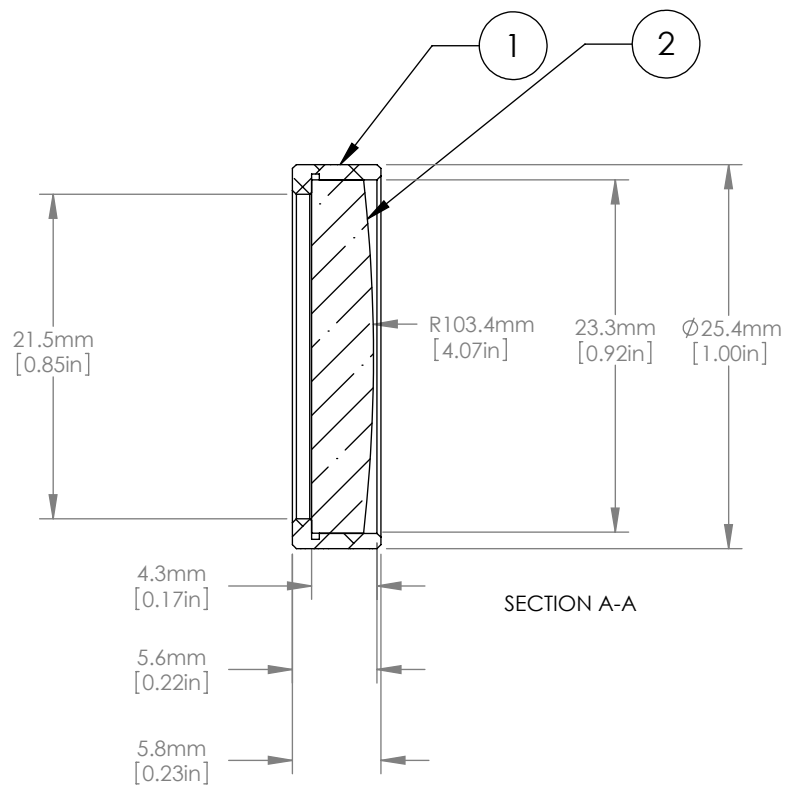
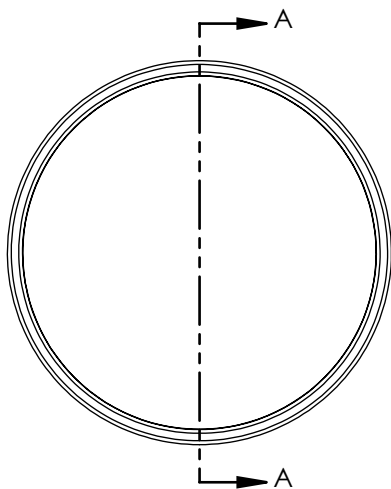


	ITEM	MATERIAL
①	BLACK ANODIZED MOUNTING RING	6061-T6 ALUMINUM
②	ROUND CYLINDRICAL LENS	N-BK7



NOTES/SPECIFICATIONS:
 FOCAL LENGTH: 200.0mm ± 1%
 WORKING DISTANCE: 196.0mm
 BBAR COATING: $R_{avg} < 0.5\%$ FOR 350-700nm
 DESIGN WAVELENGTH: 587.6nm
 CLEAR APERTURE: >21.0mm
 SURFACE QUALITY: 60-40 SCRATCH-DIG
 CENTRATION: ≤ 3 arcmin

FOR INFORMATION ONLY
 NOT FOR MANUFACTURING PURPOSES

DRAWING PROJECTION						
	NAME	DATE	D25.4 F=200.0 Mounted Rd N-BK7 A Coated Plano Convex Cyl Lens			
DRAWN	CWD	2022/5/18	PXY1254RM-200-A			
APPROVAL	ZSB	2022/5/18	MATERIAL	WEIGHT	SCALE	REV
FOR INFORMATION ONLY NOT FOR MANUFACTURING PURPOSES			SEE TABLE	0.03kg		B